

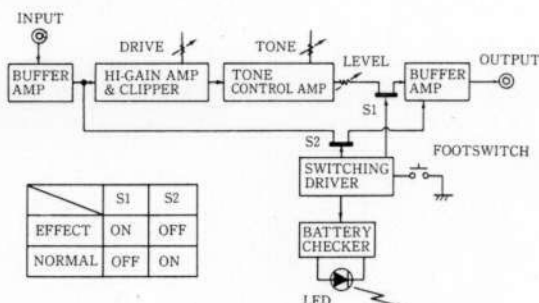
Ibanez TS9

Tube Screamer

Service Manual NO. 004



★ BLOCK DIAGRAMS



★ NORMAL CHECK LIST

1. Put 30mV 1KHz sinewave into INPUT.
2. Set all controls fully CW.
3. Check wave form as shown in Fig.A.
4. Set DRIVE control fully CCW.
5. Check wave form as shown in Fig.B.
6. Set DRIVE control fully CW, TONE control fully CCW.
7. Check wave form as shown in Fig.C.
8. Set DRIVE control fully CCW.
9. Check wave form as shown in Fig.D.

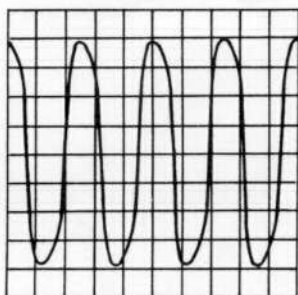


Fig. A

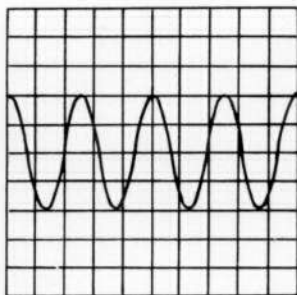


Fig. B

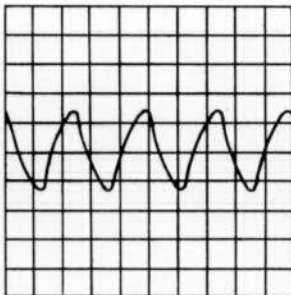


Fig. C

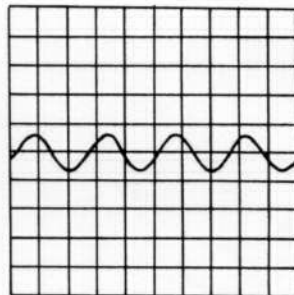


Fig. D

★ DISPOSITION OF PARTS

